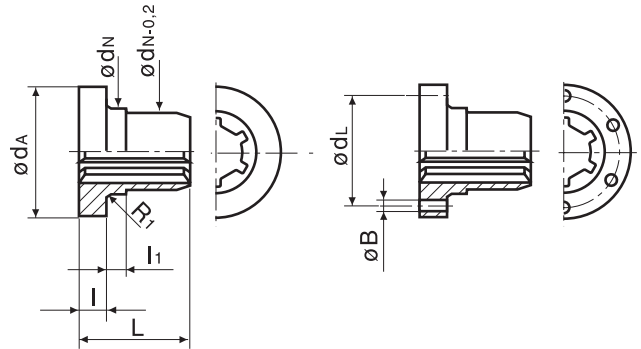
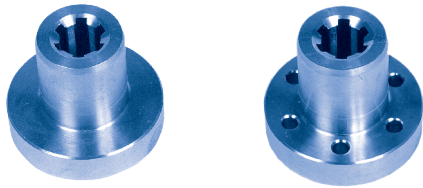


moffen cilindrisch met flens  
*manchons cylindriques avec flasque*  
 staal / acier



| $a^* \times d_1$                                 | $\times d_2$   | $\varnothing d_A$ | (h7)<br>$\varnothing d_N$ | L  | I  | Kg   | ordernr.<br>n° de comm. | $\varnothing d_L$ | 6 x $\varnothing B$ | Kg   | ordernr.<br>n° de comm. |
|--|----------------|-------------------|---------------------------|----|----|------|-------------------------|-------------------|---------------------|------|-------------------------|
| <b>met boringen . . . . . pourvus d'alésages</b> |                |                   |                           |    |    |      |                         |                   |                     |      |                         |
| <b>6 x 11</b>                                    | <b>x 14</b>    | 41                | 22                        | 30 | 8  | 0,19 | <b>294-011-603</b>      | 30                | 4,3                 | 0,18 | <b>294-011-703</b>      |
| <b>6 x 13</b>                                    | <b>x 16</b>    | 43                | 24                        | 30 | 8  | 0,17 | <b>294-013-603</b>      | 32                | 4,3                 | 0,16 | <b>294-013-703</b>      |
| <b>6 x 16</b>                                    | <b>x 20</b>    | 52                | 28                        | 40 | 9  | 0,21 | <b>294-016-604</b>      | 38                | 5,3                 | 0,20 | <b>294-016-704</b>      |
| <b>6 x 18</b>                                    | <b>x 22</b>    | 60                | 32                        | 50 | 9  | 0,31 | <b>294-018-605</b>      | 46                | 5,3                 | 0,29 | <b>294-018-705</b>      |
| <b>6 x 21</b>                                    | <b>x 25</b>    | 62                | 34                        | 50 | 10 | 0,36 | <b>294-021-605</b>      | 48                | 6,4                 | 0,33 | <b>294-021-705</b>      |
| <b>6 x 23</b>                                    | <b>x 28</b>    | 68                | 40                        | 60 | 10 | 0,53 | <b>294-023-606</b>      | 54                | 6,4                 | 0,50 | <b>294-023-706</b>      |
| <b>6 x 26</b>                                    | <b>x 32</b>    | 70                | 42                        | 60 | 10 | 0,50 | <b>294-026-606</b>      | 56                | 6,4                 | 0,48 | <b>294-026-706</b>      |
| <b>6 x 28</b>                                    | <b>x 34</b>    | 78                | 48                        | 70 | 12 | 0,80 | <b>294-028-607</b>      | 63                | 8,4                 | 0,78 | <b>294-028-707</b>      |
| <b>8 x 32</b>                                    | <b>x 38</b>    | 80                | 50                        | 70 | 12 | 0,80 | <b>294-032-607</b>      | 65                | 8,4                 | 0,78 | <b>294-032-707</b>      |
| <b>8 x 36</b>                                    | <b>x 42</b>    | 93                | 58                        | 80 | 14 | 1,32 | <b>294-036-608</b>      | 73                | 8,4                 | 1,30 | <b>294-036-708</b>      |
| <b>8 x 42</b>                                    | <b>x 48</b>    | 95                | 60                        | 80 | 16 | 1,30 | <b>294-042-609</b>      | 75                | 10,5                | 1,25 | <b>294-042-709</b>      |
| <b>8 x 46</b>                                    | <b>x 54</b>    | 99                | 65                        | 80 | 16 | 1,40 | <b>294-046-610</b>      | 80                | 10,5                | 1,30 | <b>294-046-710</b>      |
| <b>6 x 29,7</b>                                  | <b>x 34,93</b> | 80                | 50                        | 70 | 12 | 0,85 | <b>294-029-607</b>      | 65                | 8,4                 | 0,82 | <b>294-029-707</b>      |

materiaal: staal / matériau: acier 1.0503 (c45)