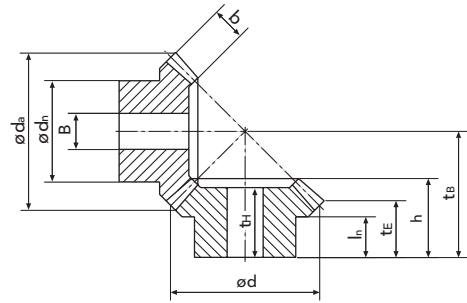


conische tandwielen
pignons coniques
 staal / acier: EN8 (C45)
 1 : 1

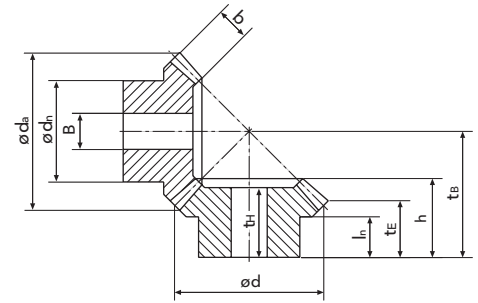
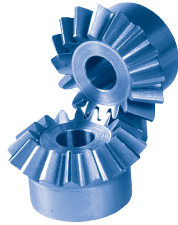
03



module	Z*	da	d	b	I _n	d _n	B	t _B	h	t _H	t _E	Kg	code
1,0	16	17,41	16,0	4,0	8,0	14,0	5,0	17,0	12,3	11,0	9,71	0,012	151-110-016
	19	20,41	19,0	4,5	8,0	16,0	6,0	19,0	13,1	12,0	10,21	0,018	151-110-019
	22	23,41	22,0	5,0	9,5	19,0	6,0	22,0	15,0	13,5	11,71	0,027	151-110-022
	26	27,41	26,0	6,0	10,0	22,0	8,0	25,0	16,7	15,5	12,71	0,042	151-110-026
	30	31,41	30,0	7,0	10,5	25,0	8,0	28,0	18,4	17,0	13,71	0,061	151-110-030
1,5	16	26,11	24,0	6,0	10,0	20,0	8,0	24,0	16,9	15,0	13,06	0,032	151-115-016
	19	30,62	28,5	6,5	10,5	24,0	8,0	27,0	18,0	16,0	13,81	0,053	151-115-019
	22	35,12	33,0	7,5	11,0	26,0	8,0	31,0	20,5	18,5	15,56	0,077	151-115-022
	26	41,11	39,0	8,5	13,0	28,0	10,0	35,0	22,2	20,5	16,56	0,105	151-115-026
	30	47,12	45,0	10,0	13,5	30,0	10,0	39,0	24,3	22,5	17,56	0,150	151-115-030
2,0	16	34,82	32,0	8,0	12,0	26,0	10,0	31,0	21,5	19,0	16,41	0,072	151-120-016
	19	40,82	38,0	9,0	12,0	30,0	10,0	35,0	23,2	21,0	17,41	0,115	151-120-019
	22	46,82	44,0	10,0	13,0	32,0	12,0	39,0	25,0	23,0	18,41	0,155	151-120-022
	26	54,82	52,0	11,5	14,0	36,0	12,0	45,0	28,0	26,0	20,41	0,242	151-120-026
	30	62,82	60,0	13,5	15,0	40,0	14,0	50,0	30,4	28,0	21,41	0,340	151-120-030
2,5	16	43,53	40,0	10,0	13,0	32,0	12,0	37,0	25,0	22,0	18,77	0,132	151-125-016
	19	51,03	47,5	11,0	14,5	38,0	12,0	43,0	28,1	25,0	21,02	0,220	151-125-019
	22	58,56	55,0	12,5	16,0	40,0	14,0	48,0	30,4	28,0	22,27	0,298	151-125-022
	26	68,53	65,0	14,5	17,0	45,0	16,0	54,0	32,8	30,0	23,27	0,433	151-125-026
	30	78,53	75,0	16,5	18,0	50,0	18,0	60,0	35,3	32,0	24,27	0,602	151-125-030
3,0	16	52,24	48,0	12,0	14,0	38,0	14,0	43,0	28,7	25,0	21,12	0,218	151-130-016
	19	61,24	57,0	13,5	16,0	40,0	14,0	49,0	31,3	28,0	22,62	0,315	151-130-019
	22	70,24	66,0	15,0	18,0	45,0	16,0	56,0	35,0	31,0	25,12	0,457	151-130-022
	26	82,24	78,0	17,0	20,0	52,0	18,0	65,0	39,3	36,0	28,12	0,737	151-130-026
	30	94,24	90,0	19,5	22,0	60,0	20,0	73,0	43,1	39,0	30,12	1,080	151-130-030
3,5	16	60,94	56,0	14,0	16,5	45,0	16,0	50,0	33,4	29,0	24,48	0,353	151-135-016
	19	71,44	66,5	16,0	18,0	50,0	16,0	57,0	36,5	32,0	26,22	0,540	151-135-019
	22	81,94	77,0	17,5	20,0	55,0	18,0	64,0	39,4	35,0	27,98	0,745	151-135-022
	26	95,94	91,0	20,0	21,0	60,0	20,0	73,0	43,2	39,0	29,65	1,110	151-135-026
	30	109,94	105,0	23,0	23,0	70,0	22,0	83,0	48,3	44,0	32,98	1,700	151-135-030

© Aandrijvingen Gallon NV 100510

conische tandwielen
pignons coniques
 staal / acier: EN8 (C45)
1 : 1



03

© Aandrijvingen Gallon NV 100510

module	Z*	da	d	b	ln	dn	B	tB	h	tH	tE	Kg	code
4,0	16	69,65	64,0	16,0	18,0	50,0	18,0	57,0	38,0	33,0	27,82	0,512	151-140-016
	19	81,65	76,0	18,0	20,0	55,0	18,0	65,0	41,4	37,0	29,83	0,775	151-140-019
	22	93,65	88,0	20,0	22,0	60,0	20,0	73,0	45,0	40,0	31,83	1,080	151-140-022
	26	109,65	104,0	23,0	23,0	70,0	22,0	82,0	48,0	44,0	32,83	1,650	151-140-026
	30	125,65	120,0	26,0	25,0	80,0	25,0	92,0	52,2	48,0	34,83	2,410	151-140-030
4,5	16	78,36	72,0	18,0	21,0	58,0	20,0	64,0	42,6	38,0	31,18	0,755	151-145-016
	19	91,86	85,5	20,0	21,0	60,0	22,0	72,0	45,3	40,0	32,43	1,020	151-145-019
	22	105,36	99,0	22,5	23,0	70,0	25,0	81,0	49,4	44,0	34,68	1,540	151-145-022
	26	123,36	117,0	25,5	25,0	80,0	28,0	92,0	53,5	48,0	36,68	2,320	151-145-026
	30	141,36	135,0	29,0	30,0	85,0	30,0	104,0	59,0	54,0	39,68	3,260	151-145-030
5,0	16	87,07	80,0	20,0	22,5	65,0	22,0	70,0	46,3	41,0	33,54	1,030	151-150-016
	19	102,07	95,0	22,0	23,0	70,0	25,0	79,0	49,2	44,0	35,04	1,440	151-150-019
	22	117,07	110,0	25,0	25,0	80,0	28,0	89,0	54,0	48,0	37,54	2,120	151-150-022
	26	137,07	130,0	29,0	29,0	85,0	30,0	103,0	60,7	55,0	41,54	3,140	151-150-026
	30	157,07	150,0	32,0	32,0	90,0	35,0	116,0	66,0	60,0	44,54	4,250	151-150-030
6,0	16	104,46	96,0	22,5	24,0	80,0	25,0	80,0	50,7	44,0	36,24	1,690	151-160-016
	19	122,46	114,0	26,0	25,0	85,0	28,0	90,0	54,2	48,0	37,24	2,770	151-160-019
	22	140,46	132,0	30,0	26,0	95,0	30,0	100,0	58,0	51,0	38,24	4,100	151-160-022
	26	164,46	156,0	35,0	30,0	105,0	35,0	116,0	65,6	58,0	42,24	6,080	151-160-026
	30	188,46	180,0	40,0	33,0	120,0	40,0	132,0	73,2	66,0	46,24	9,160	151-160-030

onder hoek van / *angle des axes*: 90°

drukhoek / *angle d'attaque*: 20°

Z*: aantal tanden / *nombre de dents*